



## 1.54 Inch IPS TFT LCD Display with 240x240 Resolution and SPI Interface for OEM ODM

### Basic Information

- Place of Origin: China
- Brand Name: BBI
- Certification: ISO9001 RoHS
- Minimum Order Quantity: 1000
- Price: 0.78-7USD
- Packaging Details: CARTON
- Delivery Time: 3-4WEEKS
- Payment Terms: T/T
- Supply Ability: 300000/MONTH



### Product Specification

- Operating Temperature: -20°C To 70°C
- Brightness: Customizable
- Lcd Type: TFT
- Technology: LCD
- Connectivity: SPI
- Outline Size: 31.52x33.72x1.8 Mm
- Display Size: 1.54 Inches
- Pin Number: 24 Pins
- Highlight: **1.54 Inch IPS TFT LCD Display ,  
240x240 Resolution TFT LCD Screen,  
SPI Interface LCD Display Module**



## Product Description

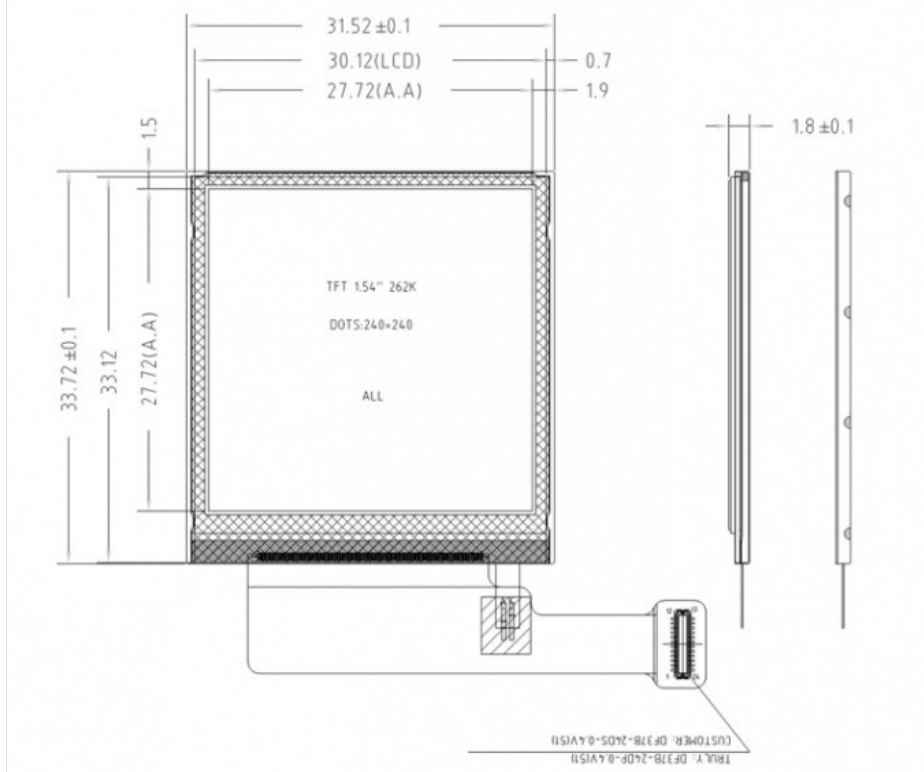
### Square 1.54" Inch 240x240 IPS LCD TFT With Touch Screen

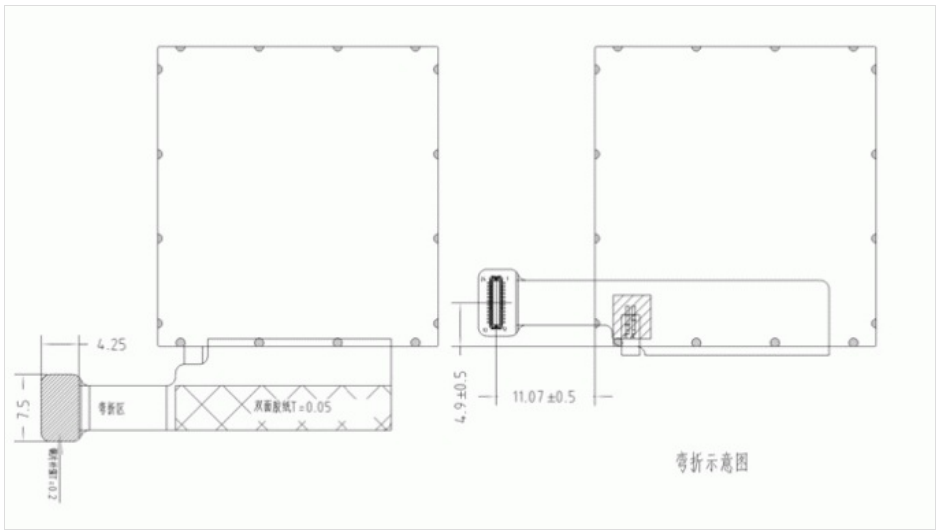
High-quality square LCD display with IPS technology offering full viewing angles and optional capacitive touch screen functionality.

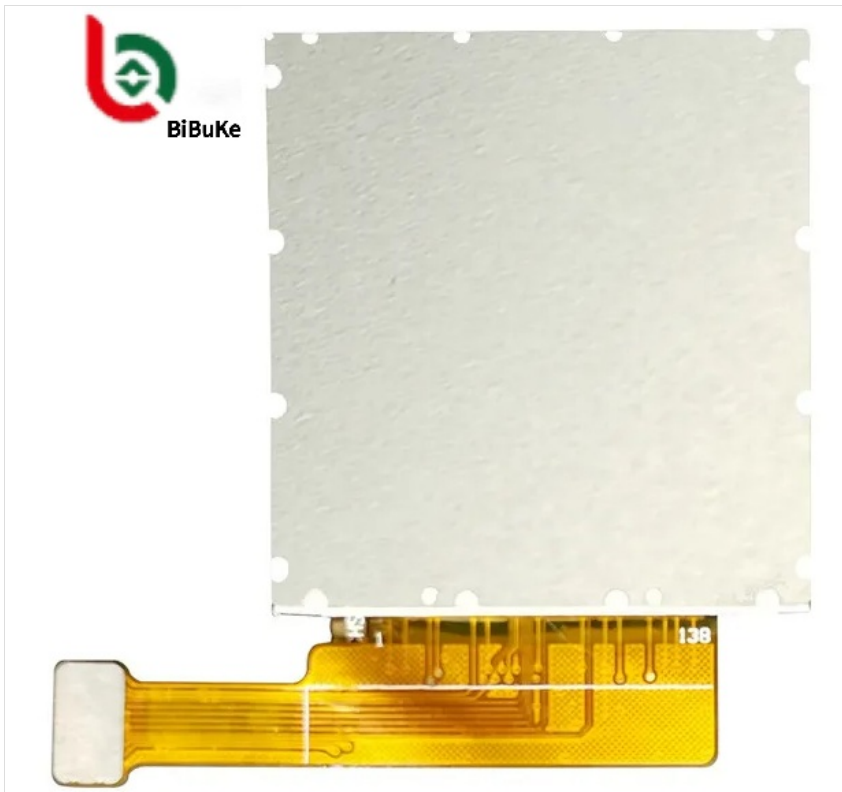
#### Key Specifications

LCD Size	1.54" inch TFT
Resolution	240x240 pixels
Viewing Angle	Full Viewing Angle (80/80/80/80)
Outline Dimension	31.52x33.72x1.8 mm
LCD Driver IC	ST7789V
Interface Type	SPI
Pin Number	24 Pins
Surface Luminance	1000 Cd/m <sup>2</sup> (nits)
LED Lifetime	40,000 Hours
Operating Temperature	-20°C to +70°C (Top); -30°C to +80°C (Tst)
Touch Panel	Optional capacitive touch screen (CTP)

#### 1.54" TFT LCD Display Product Drawing







### Technical Details

**Size:** Diagonal size of 1.54 inches with effective display area of 27.72mm × 27.72mm

**Resolution:** 240×240 pixel resolution with high pixel density for clear image and text display

**Display Technology:** TFT liquid crystal display with IPS panel for full viewing angle experience

**Driver Chip:** ST7789 series driver chips (ST7789V, ST7789H2) supporting touch screen functions

**Interface Type:** SPI and MCU interfaces for seamless connection with microcontrollers and single-board computers

**Brightness:** 350cd/m<sup>2</sup> to 700cd/m<sup>2</sup> standard, with high-brightness options up to 1000cd/m<sup>2</sup> for sunlight visibility

### Performance Features

**High-definition Display:** 240×240 resolution on 1.54-inch screen provides detailed images and text

**Wide Viewing Angle:** IPS panel ensures minimal color and contrast changes from different viewing angles

**Touch Screen Support:** Optional capacitive touch screen enables intuitive human-computer interaction

**High Reliability:** Manufactured to industrial standards with 1-year warranty and stable operation from -20 to 70

### Applications

**Smart Wearable Devices:** Smart watches and smart bands for displaying time, health data, and notifications

**Mobile Devices:** Mini game consoles and portable data collectors with enhanced user experience

**Smart Home Devices:** Smart doorbells and thermostats for displaying device status and control interfaces

**Drone Systems:** Display screens for flight data and camera images

**Medical Equipment:** Blood glucose meters and blood pressure monitors for clear data display

**Industrial Instruments:** Control devices and testing instruments requiring wide temperature operation and reliable performance

### Frequently Asked Questions

#### I want the LCD display 8 digits and the outline size is 65x30x2.8mm?

No problem. Please send us your specification or drawing. If you don't have specifications, provide samples and we'll recommend suitable options or customize based on your requirements.

#### This LCD is just what we want, but it is big size, do you have any smaller size? And the display content need to be changed a little.

For segment type LCD modules requiring size or display content modifications, we can create new tooling for custom solutions.

#### This LCD display is HTN type, but I want STN type, can you make?

Yes, we can modify the display type according to your requirements.

**I want to customize a new LCD module. Can you do?**

Yes, we provide custom LCD module services. Please send your drawing or provide outline size, display information, glass thickness, polarizer, display type, connector mode, temperature specifications, supply voltage, viewing direction, and drive conditions.

**What is the lead time for tooling?**

Typically 15 to 25 days after drawing confirmation and tooling charge payment. We'll provide exact timelines upon drawing approval.

**Can you send us samples for checking?**

Yes, sample orders are available for evaluation.

**What is the lead time?**

For standard products in stock: 1 day after payment. For mass production of custom products: 15-30 days. We'll notify you if we can complete earlier.



**Dongguan Bibuke Electronic Technology Co., Ltd.**



+8613711912723



Jack@smartwinlcd.cn



lcdtftscreen.com

Shangyu Commercial Centre Chang'an, Dongguan, Guangdong, China 523881