

Sunlight Readable 2.4 Inch IPS TFT LCD Display with SPI Interface and High Brightness

Our Product Introduction

for more products please visit us on lcdtftscreen.com

Basic Information

- Place of Origin: China
- Brand Name: BBI
- Certification: ISO90001 RoHS
- Minimum Order Quantity: 1000
- Price: 0.7-7USD
- Packaging Details: CARTON
- Delivery Time: 3-47WEEKS
- Payment Terms: T/T
- Supply Ability: 100000/MONTH



Product Specification

- Active Area: 36.72×48.96mm
- Interface: SPI
- Lcd Type: TFT
- Surface Luminance: 1000 Cd/m2
- Size: 2.4 Inch
- Viewing Angle: IPS All Viewing Angles
- Contrast Ratio: 1000:1
- Touchscreen: Optional Resistive Or Capacitive
- Highlight: **Sunlight Readable IPS TFT LCD Display ,
2.4 Inch TFT LCD Screen ,
SPI Interface LCD Display Module**



Product Description

Sunlight Readable 2.4 Inch IPS TFT LCD Display

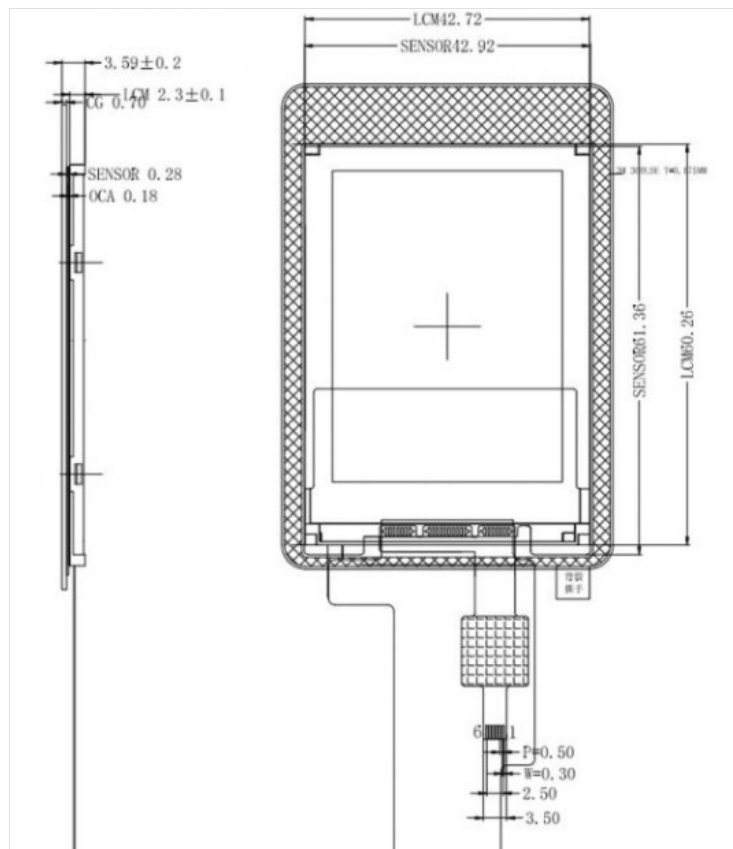
This 2.4-inch portrait mode TFT LCD module features a capacitive touch screen with QVGA resolution of 240x320 pixels. Built with ILI9341V driver IC (compatible with ST7789V) and SPI interface, it operates on 2.4V to 3.6V supply voltage (typically 3.3V). The anti-glare surface panel ensures visibility from all viewing angles.

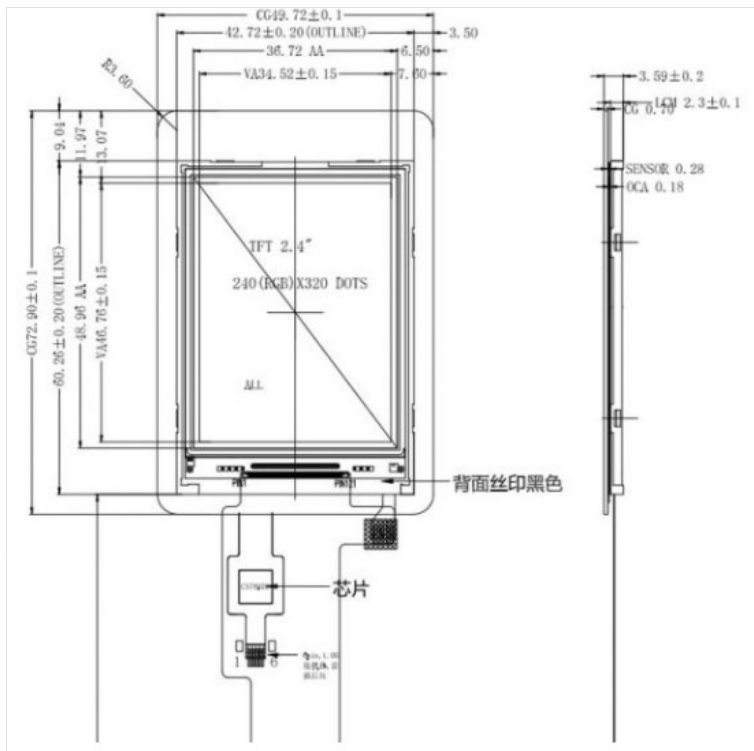
Equipped with high-brightness backlight and polarizer, this display achieves surface brightness up to 1000 NITS, making it sunlight readable. Ideal for embedded systems, industrial devices, security equipment, and handheld applications requiring high-quality color imaging.

Technical Specifications

Product	2.4 Inch TFT LCD Display
Resolution	240x320 pixels
Viewing Direction	IPS All Viewing Angles
Pin Number	15 Pins
Surface Luminance	1000 Cd/m ²
LED Lifetime	40,000 Hours
Touch Screen	Capacitive Touch Panel
Cover Glass Dimension	Customizable
Interface	SPI
Connection	Plug In
Driver IC	ILI9341V
Compliance	ISO9001 & RoHS Compliant

Product Drawings





Pin Definition

GND
 RS
 CS
 SCL
 DATA
 RESET
 VDD
 VSS
 BL-A
 BL-K
 TP-VCC-
 TP-RST
 TP-INT
 TP-SCL
 TP-SDA



BiBuKe



BiBuKe



Main Applications

Electronic DIY and Maker Projects: Ideal for Arduino and ESP32 projects, this display with capacitive touch enables menu navigation and interactive controls. Abundant development resources make it suitable for beginners creating game consoles, data recorders, and temperature controllers.

Embedded and Industrial Control Equipment: With wide operating temperature range and stable performance, perfect for industrial control panels, testing instruments, portable detection devices, and machinery operation displays.

Education and Training Scenarios: Excellent for teaching embedded display technology and SPI communication protocols in university engineering programs. Commonly used in electronic competitions for rapid prototyping.

Small Consumer Electronics Devices: Used in portable Bluetooth speakers, mini sports trackers, and smart sensor displays where small size and cost-effectiveness are essential.

Frequently Asked Questions

Can you customize the LCD display with specific dimensions like 65x30x2.8mm?

Yes, we can customize based on your specifications. Please provide your technical drawings or samples, and we'll recommend suitable options or create custom solutions.

Do you have smaller sizes available with modified display content?

For segment type LCD modules requiring size or content changes, we create new glass modules with custom tooling.

Can you change from HTN to STN type LCD displays?

Absolutely, we can modify the display type according to your requirements.

Do you offer custom LCD module manufacturing?

Yes, we provide full customization services. Please share your drawings or provide specifications including outline size, glass thickness, polarizer type, display parameters, connector mode, temperature range, supply voltage, viewing direction, and drive conditions.

What is the tooling lead time?

Typically 15-25 days after drawing confirmation and tooling payment. Exact timing will be confirmed upon drawing approval.

Do you provide samples for evaluation?

Yes, sample orders are available for quality verification.

What is your production lead time?

Standard products in stock ship within one day after payment. Mass production for custom orders typically takes 15-30 days, with earlier completion communicated in advance.



Dongguan Bibuke Electronic Technology Co., Ltd.



+8613711912723



Jack@smartwinlcd.cn



lcdftscreen.com

Shangyu Commercial Centre Chang'an, Dongguan, Guangdong, China 523881