

4 Inch Round TFT LCD Display with 720x720 Resolution, 1000 Nits Brightness, and MIPI Interface

Our Product Introduction

Basic Information

- Place of Origin: China
- Brand Name: BBI
- Certification: ISO90001 RoHS
- Minimum Order Quantity: 1000
- Price: 0.7-7USD
- Packaging Details: CARTON
- Delivery Time: 3-47WEEKS
- Payment Terms: T/T
- Supply Ability: 100000/MONTH



Product Specification

- Screen Size: 4inches
- Viewing Direction: All Viewing Angle(80/80/80/80)
- Backlight Type: LED
- Interface: MIPI
- Backlight: 4 LEDS
- Pin Number: 30PIN
- Active Area: 101.52 (mm) Diameter
- Luminance: 1000 Cd/m2
- Highlight: **720x720 Resolution TFT LCD Display, 1000 Nits Brightness Round TFT Screen, MIPI Interface Circular LCD Module**



Product Description

4 Inch 720 X 720 Dots Round TFT LCD Display MIPI Interface 1000nits

Product Specifications

Product	4 Inch Circular TFT LCD
Resolution	720x720
Interface	MIPI
Touch Screen	Not, CTP Optional
Viewing Direction	IPS (80/80/80/80)
Pin Number	30 Pins
Module Size	107.60(H) *111.87(V)*3.83(T)
Active Area	101.52 (mm) Diameter
Surface Luminance	1000 Cd/m2 (nits)
Operating Temperature	-30 To +85
LED Lifetime	40,000 Hours
Compliance	Rohs & Reach Compliant

Key Features

High Resolution: With a pixel density capable of producing crisp and clear images, the 720 x 720 resolution is perfect for graphical interfaces and detailed content display.

Round Display Design: The unique round form factor not only stands out aesthetically but also provides a more immersive viewing experience for applications such as smart devices, wearables, and automotive displays.

High Brightness (1000 nits): Our display offers exceptional brightness levels, making it suitable for outdoor use and environments with high ambient light. This feature enhances readability and visual impact in diverse applications.

MIPI Interface: The Mobile Industry Processor Interface (MIPI) ensures fast data transfer and compatibility with a wide range of processors and microcontrollers. This makes the display ideal for a variety of embedded systems and IoT applications.

Wide Viewing Angles: Enjoy consistent color and image quality from different angles, ensuring that no matter the perspective, the display remains clear and vivid.

Low Power Consumption: Designed for energy efficiency, this display minimizes power usage without compromising brightness or image quality, making it ideal for battery-operated devices.

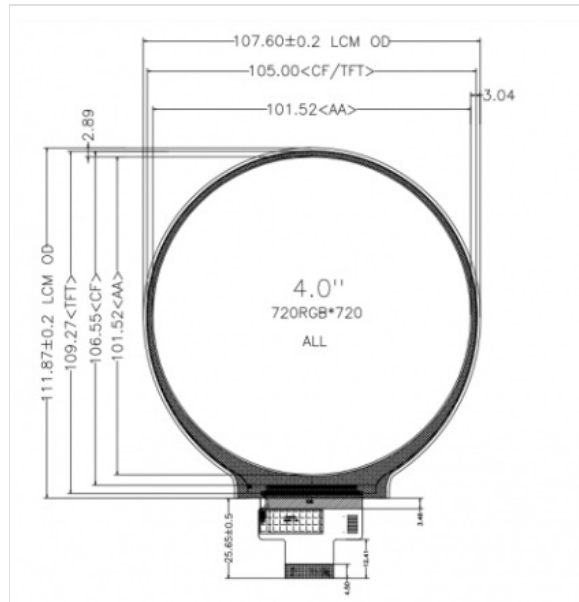
Core Application Scenarios

Automobile and Two-Wheeler Dashboards: Mainstream application in the automotive field, suitable for secondary display screens in cars and instrument panels of motorcycles/electric vehicles. Displays information such as speed, rotational speed, fuel level, battery level, and fault codes. With 1000 nits brightness, it is compatible with strong outdoor driving light environments. The circular shape conforms to traditional dashboard visual habits, and the MIPI interface ensures real-time, smooth display of driving data.

Industrial and Medical Instruments: Suitable for circular display units of industrial control equipment, such as flow meters, pressure gauges, and speedometers. In the medical field, used for portable diagnostic instruments and health monitoring devices with high brightness and full viewing angle for quick data reading by medical staff.

Smart Home and Consumer Electronics: Used for circular interactive screens in smart appliances, such as high-end coffee machines, air purifiers, and smart thermostats. Also serves as external expansion screen for smart wearable devices, display panel for portable smart speakers, or small advertising machines and gift display screens.

Outdoor and Special Equipment: Suitable for outdoor handheld terminals, portable surveying equipment, and as local display module for security monitoring equipment. The low power consumption characteristic of the MIPI interface helps extend device battery life.





Frequently Asked Questions

I want the LCD display 8 digits and the outline size is 65x30x2.8mm?

No problem. Firstly, please kindly send us your specification/drawing paper. If you have not the specification, you can also provide your samples; we will recommend the suitable one if it is standard products. Or we can customize for you based on your own requirement.

This LCD is just what we want, but it is big size, do you have any smaller size? And the display content need to be changed a little.

For the segment type LCD module, if you need modify the outline size or display content, a new LCD glass module is need. We have to open new tooling for you.

This LCD display is HTN type, but I want STN type, can you make?

That's all right. We can change for you as per you request.

I want customize a new LCD module. Can you do?

Yes, we can. Please send your drawing paper. If you have not, please advise me the outline size of the LCD display, display information (Glass thickness, Polarizer, Display Type, Connector mode, Storage Temp. Operating Temp. Supply Voltage, Viewing direction, drive condition), we can customize for you.

What is leading time for tooling?

General speaking, it will cost 15 to 25 days after drawing paper confirmation and tooling charge payment, we can report you the exact time when you confirm the drawing paper.

Can you send us samples for checking?

Yes. Samples order is available.

What is the Leading Time?

If we have stock for the standard ones, the leading time is one day after payment. If it is the mass production for special ones, the leading time is about 15-30 days. Suppose we can finish earlier, we will report the information in advanced.

 +8613711912723  Jack@smartwinlcd.cn  lcdftscreen.com

Shangyu Commercial Centre Chang'an, Dongguan, Guangdong, China 523881