

1.3 Inch IPS TFT LCD Screen with 240x240 Resolution and SPI Interface for Industrial Applications

Our Product Introduction

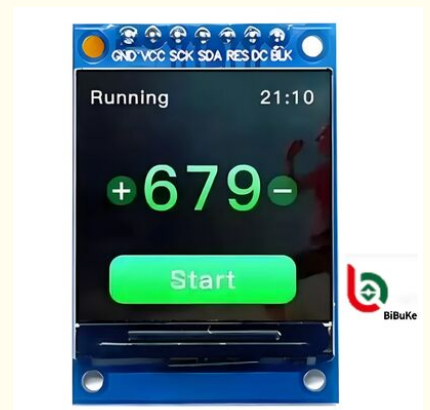
Basic Information

- Place of Origin: China
- Brand Name: BBI
- Certification: ISO9001 RoHS
- Minimum Order Quantity: 1000
- Price: 0.78-7USD
- Packaging Details: CARTON
- Delivery Time: 3-4WEEKS
- Payment Terms: T/T
- Supply Ability: 300000/MONTH



Product Specification

- Brightness: 250 Cd/m²
- Interface: SPI
- Display Technology: TFT LCD
- Size: 1.3 Inch
- Touch Screen: Customized
- Pins Number: 7 Pins
- Light Source: White LED
- Aa Size: 23.4(H) X 23.4 (V) Mm
- Highlight: **1.3 Inch TFT LCD Screen ,
240x240 Resolution LCD Display Module,
SPI Interface IPS TFT Display**



for more products please visit us on lcdtftscreen.com

Product Description

SPI Serial Interface 1.3-Inch IPS TFT LCD 240x240 Dot With 7 Header Pins PCB

Product:	1.3 Inch TFT+PCB	PCB:	7-header Pin PCB
Resolution:	240x240 Dots	Cover Glass:	Customizable
Viewing Direction:	IPS Free Viewing Angle	Interface:	SPI Interface
Pin Number:	7 Pins	Connection:	Header Pin
Surface Luminance:	250 Cd/m ² (nits)	LED Lifetime:	40,000 Hours
Certificate:	ISO9001:2015 / ISO1400:2015	Compliance:	Rohs & Reach Compliant

This 1.3-inch IPS TFT LCD 240x240 dot display is a common small-sized liquid crystal display device, equipped with a 7-pin PCB, featuring specific technical characteristics and wide application scenarios.

Display Introduction

Size and Resolution: Diagonal screen size of 1.3 inches with 240x240 pixel resolution. Pixel pitch is 0.0975mm×0.0975mm with display area of approximately 23.4mm×23.4mm.

Display Technology: IPS (In-Plane Switching) technology provides nearly 180-degree viewing angle with minimal color and contrast variations. TFT technology ensures fast response and stable image display.

Color Performance: Full-color display capability with rich colors suitable for applications with color requirements.

Driver Chip: Commonly uses ST7789V driver chip supporting 8-bit 8080 MCU and 4-line SPI communication interfaces.

Pins and Interfaces: 7-pin PCB with 2.54mm pin spacing, default unsoldered, compatible with pin headers or connection lines.

Operating Parameters: 3.3V operating voltage, approximately 20mA current, backlight with 2 parallel white LEDs, operating temperature range of -20°C to +70°C.

Applications

Smart wearable devices: smart watches, smart bands displaying time, steps, heart rate

Smart home devices: control panels for microwave ovens, ovens, and smart appliances

Medical instruments: blood glucose meters, blood pressure monitors showing measurement results

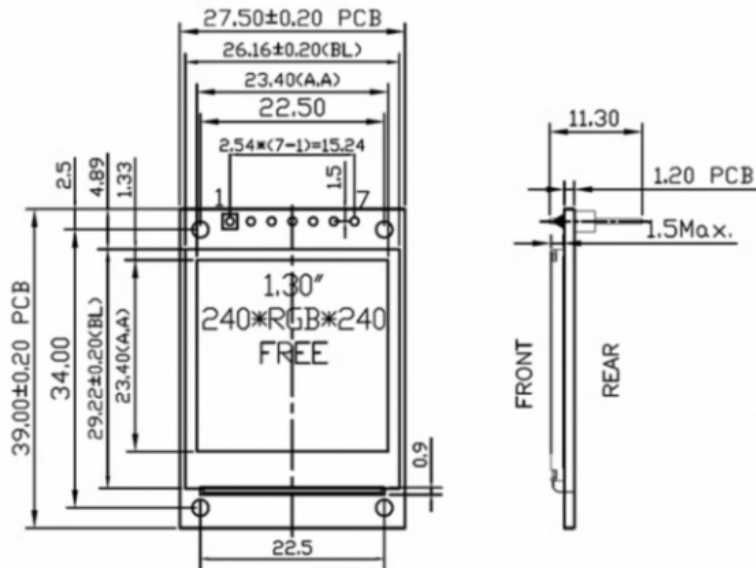
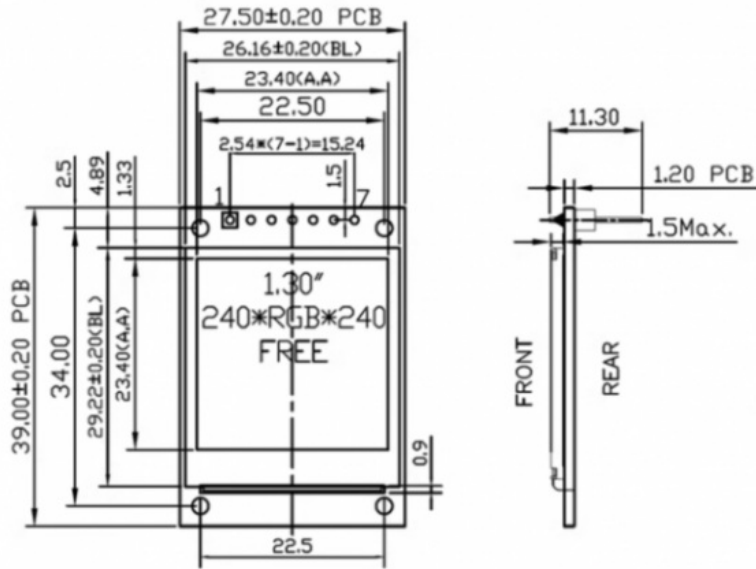
Industrial control and instruments: display interfaces for small instruments and controllers

Handheld devices: handheld scanners, portable game consoles providing clear displays

Technical Specifications

Item	Contents
LCD Size	1.3 inch (Diagonal)
Display Mode	Normally black
Resolution	240(H)RGB x 240(V)
Dot pitch	0.0975 (H) x 0.0975(V) mm
Active area	23.4(H) x 23.4 (V) mm
Module size	27.5(H) x 39.0(V) x 11.3(D) mm
Color arrangement	RGB Vertical stripe
Interface	SPI
Drive IC	ST7789
Luminance	250 (TYP) cd/m ²
Viewing Direction	All View, IPS
Backlight	2 White LED
Operating Temp.	-20°C~ +70°C
Storage Temp.	-30°C~+80°C
Weight	TBD





Frequently Asked Questions

I want the LCD display 8 digits and the outline size is 65x30x2.8mm?

No problem. Please send us your specification or drawing. If you don't have specifications, you can provide samples and we'll recommend suitable products or customize based on your requirements.

This LCD is just what we want, but it is big size, do you have any smaller size? And the display content need to be changed a little.

For segment type LCD modules requiring outline size or display content modifications, we need to create a new LCD glass module with custom tooling.

This LCD display is HTN type, but I want STN type, can you make?

Yes, we can modify the display type according to your requirements.

I want customize a new LCD module. Can you do?

Yes, we can customize. Please provide your drawing or specify outline size, display information (glass thickness, polarizer, display type, connector mode, storage/operating temperature, supply voltage, viewing direction, drive conditions).

What is leading time for tooling?

Typically 15 to 25 days after drawing confirmation and tooling payment. We'll provide exact timing upon drawing confirmation.

Can you send us samples for checking?

Yes, sample orders are available.

What is the Leading Time?

For standard products in stock: 1 day after payment. For mass production of special orders: approximately 15-30 days. We'll notify you if we can complete earlier.



Dongguan Bibuke Electronic Technology Co., Ltd.



+8613711912723



Jack@smartwinlcd.cn



lcdftscreen.com

Shangyu Commercial Centre Chang'an, Dongguan, Guangdong, China 523881