

## 3.6 Inch Round TFT LCD Display Module with 544\*506 Resolution and RGB Interface

Our Product Introduction

for more products please visit us on [lcdtftscreen.com](http://lcdtftscreen.com)

### Basic Information

- Place of Origin: China
- Brand Name: BBI
- Certification: ISO90001 RoHS
- Minimum Order Quantity: 1000
- Price: 0.7-7USD
- Packaging Details: CARTON
- Delivery Time: 3-47WEEKS
- Payment Terms: T/T
- Supply Ability: 100000/MONTH



### Product Specification

- Lcd Resolution: 544\*506 Dots
- Color: 16.7M
- Viewing Direction: ALL O'CLOCK
- Panel Size: 3.6 Inch(diagonal)
- Outline Dimension: 107.13(W )×107.13(H)×9.76(T) Mm
- Productname: Round TFT LCD Display
- Surface Luminance: 1000nits
- Panel Type: IPS
- Highlight: 3.6 Inch Round TFT LCD Display, 544\*506 Resolution TFT LCD Module, RGB Interface Circular TFT Display



### More Images



### 3.6 Inch Round TFT LCD Display Module With 544×506 Resolution RGB Interface

This 3.6-inch circular TFT LCD display module combines unique form factor with high-performance specifications, making it ideal for various industrial and consumer applications.

#### Technical Specifications

Product	3.6 Inch Round Touchscreen TFT	Resolution	544 (RGB) × 506 Dots
Surface Luminance	1000 Cd/m <sup>2</sup> (nits)	Touch Screen	Capacitive Touchscreen (CTP)
Viewing Direction	IPS Full Viewing Angle	Driver IC	ST72566
Pin Number	40 Pins	Connection	ZIF
Interface	RGB 24 Bits	LED Lifetime	40,000 Hours
Operating Temperature	-30°C to +85°C	Outline Dimension	107.13(W)×107.13(H)×9.76(T) mm
Active Area	89.76(W)×83.49(H) mm	Compliance	REACH & RoHS Compliant

#### Key Features

- Low Input Voltage: VDD: 2.7~3.6V
- Display Colors: 16.7M colors
- CPU Interface: RGB 24BIT
- Internal Power Supply Circuit

#### Product Overview

This circular TFT LCD display module features a unique 3.6-inch round shape that provides distinct advantages in specialized applications. With 544×506 resolution, it delivers clear and sharp image quality. The RGB interface ensures compatibility with various controllers and motherboards supporting RGB output for seamless data transmission and display functionality.

Utilizing IPS panel technology, the module offers excellent viewing angles approaching 180 degrees, maintaining consistent color and contrast from any direction. The ST72566 driver IC provides reliable performance, while brightness levels ranging from 300-1000 nits ensure optimal visibility across different lighting conditions. Operating temperature range of -20°C to 70°C provides robust environmental adaptability.

#### Application Areas

**Smartwatch:** The circular design and moderate size make it perfect for smartwatch displays, providing clear visibility for time, notifications, and health data.

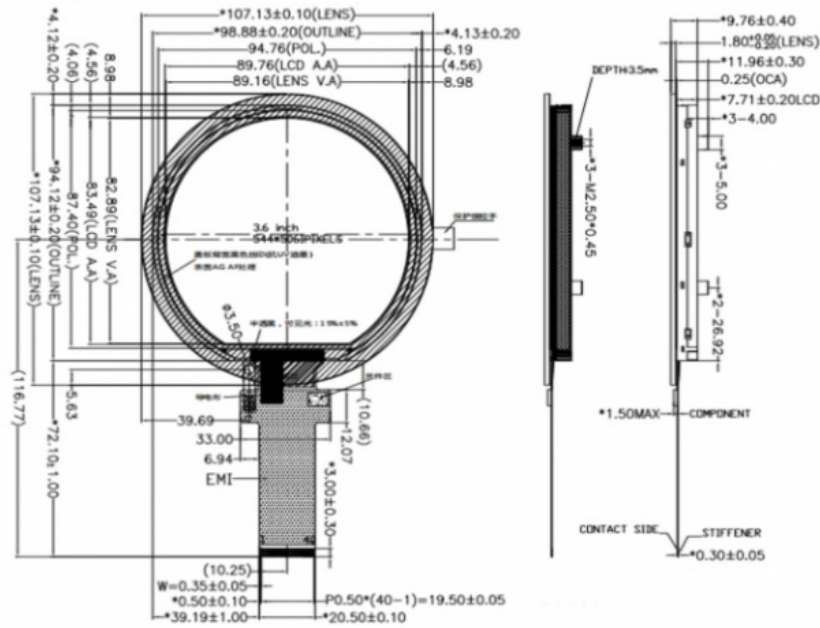
**Smart Speaker:** Serves as an interactive display for showing song information, volume controls, and smart assistant feedback.

**Vehicle Dashboard:** Integrates seamlessly into automotive dashboards for displaying speed, fuel levels, RPM, and other critical vehicle information.

**Industrial Control:** Ideal for small control panels, instruments, and meters in industrial settings, with wide temperature operation meeting industrial environment requirements.

**Smart Makeup Mirror:** Enhances smart mirrors by displaying lighting adjustments, tutorial videos, and other interactive content.





### Pin Configuration

PIN NO.	SYMBOL	LEVEL	DESCRIPTION
1	LEDK	L	Backlight-
2	LEDA	H	Backlight+
3	GND	H	Power ground
4	VCC	H	Power supply (2.7-3.6V)
5-12	R0-R7	H/L	Red data bus
13-20	G0-G7	H/L	Green data bus
21-28	B0-B7	H/L	Blue data bus
29	GND	L	Power ground
30	DCLK	H/L	Pixel clock signal pin
31	DISP	H/L	Connected to VDD in normal operation mode. Connected to GND, the IC is in standby mode.
32	HSYNC	H/L	Horizontal sync
33	VSYSN	H/L	Vertical sync
34	DE	H/L	Data enable signal
35	AUTODL	H/L	OPT function control pin
36	CS	H/L	Chip select input pin
37	SCL	H/L	Serial clock input
38	SDA	H/L	Serial data input pin
39	NTC1	/	Connect thermistor
40	NTC2	/	Connect thermistor

### Frequently Asked Questions

**I want the LCD display 8 digits and the outline size is 65x30x2.8mm?**

No problem. Please send us your specifications or drawing. If you don't have specifications, you can provide samples and we'll recommend suitable options from our standard products or customize according to your requirements.

**This LCD is just what we want, but it is big size, do you have any smaller size? And the display content need to be changed a little.**

For segment type LCD modules requiring size modifications or display content changes, we need to create a new LCD glass module with custom tooling.

**This LCD display is HTN type, but I want STN type, can you make?**

Yes, we can modify the display type according to your requirements.

**I want customize a new LCD module. Can you do?**

Yes, we can customize LCD modules. Please send your drawing or provide specifications including outline size, display information, glass thickness, polarizer, display type, connector mode, temperature ranges, supply voltage, viewing direction, and drive conditions.

**What is leading time for tooling?**

Typically 15 to 25 days after drawing confirmation and tooling payment. We'll provide exact timelines upon drawing approval.

**Can you send us samples for checking?**

Yes, sample orders are available for evaluation.

**What is the Leading Time?**

For standard products in stock, lead time is one day after payment. For mass production of custom orders, lead time is approximately 15-30 days. We'll notify you if we can complete earlier.



**Dongguan Bibuke Electronic Technology Co., Ltd.**



+8613711912723



Jack@smartwinlcd.cn



lcdtftscreen.com

Shangyu Commercial Centre Chang'an, Dongguan, Guangdong, China 523881