

4-inch Round TFT LCD Display with 1000nits Brightness, 720x720 Resolution, and IPS All Viewing Angles

Our Product Introduction

Basic Information

- Place of Origin: China
- Brand Name: BBI
- Certification: ISO9001 RoHS
- Minimum Order Quantity: 1000
- Price: 0.7-7USD
- Packaging Details: CARTON
- Delivery Time: 3-4WEEKS
- Payment Terms: T/T
- Supply Ability: 100000/MONTH



Product Specification

- Size: 4 Inches
- Viewing Angle: All Viewing Angles
- Surface Luminance: 1000 Cd/m² (Customizable)
- Light Source: White LED
- Connection: Plugging (customizable)
- Resolution: 720*720 Pixels
- Outline Size: 107.60(H) *111.87(V)*3.83(T)
- Color Numbers: 16.7M
- Highlight: 1000nits Brightness Round TFT LCD Display , 720x720 Resolution Circular TFT LCD Screen, IPS All Viewing Angles Automotive TFT Display



for more products please visit us on lcdtftscreen.com

Product Description

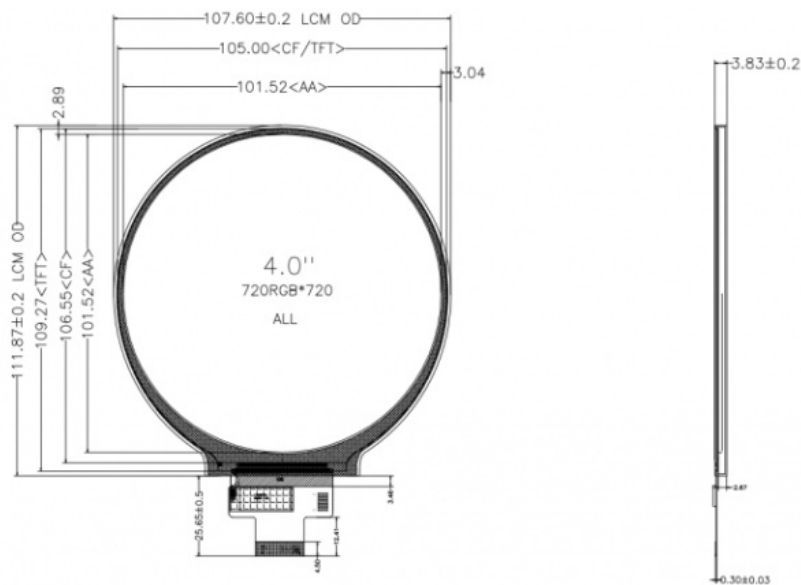
4-inch Circular Automotive Grade TFT LCD Display

High-brightness 1000 nits circular TFT LCD display designed for automotive and industrial applications with wide temperature range and superior reliability.

Key Features

| Specification | Details |
|-----------------------|------------------------------------|
| LCD Display Size | 4 inch Round TFT |
| Module Structure | TFT Display |
| LCD Display Type | TFT/TRANSMISSIVE |
| LCD Display Mode | Normally Black |
| Viewing Direction | IPS all viewing angles |
| Module Size | 107.60(H) × 111.87(V) × 3.83(T) mm |
| Active Area | 101.52 mm Diameter |
| Resolution | 720RGB × 720 pixel |
| Interface Type | MIPI interface |
| Operating Temperature | -30 to +85 |
| Surface Luminance | 1000 cd/m ² |
| Color Numbers | 16.7M |
| Backlight Type | White LED |

Outline Drawing



Pin Definition

| No. | Pin | Description |
|-----|------|-------------|
| 1 | LEDA | LED anode |

| | | |
|----|----------|---|
| 2 | LEDK1 | LED Cathode |
| 3 | LEDK2 | LED Cathode |
| 4 | VCI | Power Supply 2.8~3.3V |
| 5 | IOVCC | Power Supply 1.8V-2.0V |
| 6 | RESET | LCM reset signals |
| 7 | TE | Tearing effect output |
| 8 | PWM | The PWM frequency output for LCD driver control |
| 9 | GND | Ground |
| 10 | D0P | DSI-D0+ data signals |
| 11 | D0N | DSI-D0- data signals |
| 12 | GND | Ground |
| 13 | D1P | DSI-D1+ data signals |
| 14 | D1N | DSI-D1- data signals |
| 15 | GND | Ground |
| 16 | CLKP | DSI-Clock+ |
| 17 | CLKN | DSI-Clock- |
| 18 | GND | Ground |
| 19 | D2P | DSI-D2+ data signals |
| 20 | D2N | DSI-D2- data signals |
| 21 | GND | Ground |
| 22 | D3P | DSI-D3+ data signals |
| 23 | D3N | DSI-D4- data signals |
| 24 | GND | Ground |
| 25 | TP_INT | Touch Interrupt |
| 26 | TP_SDA | Touch IIC Data signal |
| 27 | TP_SCL | Touch IIC Clock signal |
| 28 | TP_RESET | Touch Reset Signal |
| 29 | TP_VCI | Touch Power supply |
| 30 | TP_IOVCC | Touch Power supply |

Product Core Introduction

This 4-inch circular automotive-grade TFT LCD display with 1000 nits brightness is a high-specification circular display module specifically engineered for vehicle-mounted applications and harsh industrial environments. It features exceptional brightness, wide temperature range operation, shock resistance, and automotive-grade reliability, making it ideal for circular gauges, dashboards, HUD systems, and various other scenarios.

Core Parameters

Size: 4 inches diagonal, circular design with 101.52mm effective display diameter

Resolution: 720×720 pixels with square pixels for full circular coverage

Brightness: 1000 cd/m² for clear visibility in strong lighting conditions

Panel Technology: IPS hard screens with full viewing angle capability

Contrast Ratio: 800:1 or higher for vivid color representation

Interface: MIPI-DSI with 2/4 lanes compatibility

Driver IC: Automotive-grade chips including ST7701S

Power Supply: 2.6-3.6V with low power consumption design
Operating Temperature: -30 to +85 meeting automotive standards
Lifespan: Backlight life exceeding 40,000 hours
Reliability: AEC-Q100 certified with shock resistance and EMI protection

Core Advantages

1000 nit ultra-bright display ensures clear readability even in direct sunlight
Circular shape complements retro and high-end vehicle instrument panel designs
Automotive-grade quality with wide temperature range and shock resistance
IPS full-view technology maintains color accuracy from any viewing angle
High integration with MIPI interface simplifies wiring and supports touch integration

Main Applications

Automotive Electronics

Circular instrument panels replacing traditional gauges
Central control rotary screens and passenger seat displays
HUD auxiliary displays for speed, navigation, and ADAS warnings
Electronic rearview mirrors with stream media capability
Rear entertainment and control screens

Industrial and Special Equipment

Industrial instruments and controllers for parameter display
Medical portable equipment and diagnostic instruments
Outdoor handheld terminals for inspection and mapping
Smart home appliances and high-end consumer electronics





Frequently Asked Questions

I want the LCD display 8 digits and the outline size is 65x30x2.8mm. Is this possible?

Yes, we can accommodate your requirements. Please send us your specifications or drawing. If you don't have specifications, you can provide samples, and we'll recommend suitable products or customize based on your requirements.

This LCD is what we want, but it's too big. Do you have smaller sizes? Can the display content be modified?

For segment type LCD modules, modifying outline size or display content requires a new LCD glass module. We can create new tooling for your specific requirements.

This LCD display is HTN type, but I want STN type. Can you make this change?

Yes, we can change the display type according to your request.

I want to customize a new LCD module. Can you do this?

Yes, we specialize in custom LCD modules. Please send your drawing or provide details including outline size, display information, glass thickness, polarizer type, display type, connector mode, storage and operating temperature, supply voltage, viewing direction, and drive conditions.

What is the lead time for tooling?

Typically, tooling takes 15 to 25 days after drawing confirmation and tooling charge payment. We'll provide exact timelines once your drawing is confirmed.

Can you send us samples for evaluation?

Yes, sample orders are available for your evaluation.

What is the lead time for production?

For standard products in stock, lead time is one day after payment. For mass production of special orders, lead time is typically 15-30 days. We'll inform you immediately if we can complete your order sooner.



Dongguan Bibuke Electronic Technology Co., Ltd.



+8613711912723



Jack@smartwinlcd.cn



lcdftscreen.com

Shangyu Commercial Centre Chang'an, Dongguan, Guangdong, China 523881