

15.6" 1500nits FHD Industrial LCD Screen with Wide Temperature Range and LVDS Interface for Sunlight Readable Display

Our Product Introduction

for more products please visit us on lcdtftscreen.com

Basic Information

- Place of Origin: China
- Brand Name: BBI
- Certification: ISO9001 RoHS
- Minimum Order Quantity: 1000
- Price: 0.7-7USD
- Packaging Details: CARTON
- Delivery Time: 3-4WEEKS
- Payment Terms: T/T
- Supply Ability: 100000/MONTH



Product Specification

- Resolution: 1920 X R.G.B. X 1080
- Brightness: 1500 Cd/m²
- Outline Dimension: 365.72x220.39x12.5
- Contrast ratio: 800:1
- Display size: 15.6 Inches
- Viewing Angle: 85°/85°/85°/85° (CR≥10)
- Operating Temperature: -30°C To +85°C
- Backlight Type: LED
- Highlight: **1500nits Brightness TFT LCD Display ,
Wide Temperature Range Industrial LCD Screen
, LVDS Interface Sunlight Readable Display**



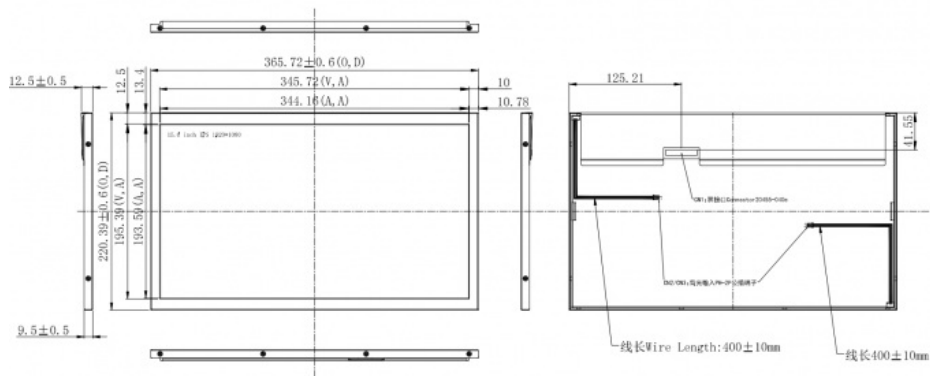
Product Description

15.6" 1500nits FHD Industrial Sunlight Readable TFT LCD Display

High-performance 15.6-inch industrial TFT LCD display featuring 1500 nits ultra-high brightness, wide temperature operation, and LVDS interface for superior sunlight readability in demanding environments.

Technical Specifications

Item	Specification	Unit
Screen Size	15.6" real diagonal	
Bezel Opening	365.72x220.39x12.5	mm
Pixel Number	1920 x R.G.B. x 1080	pixel
Pixel Pitch	0.17925 (H) x 0.17925 (V)	mm
Display Area	344.16x193.59	mm
Display Colors	16.7M	color
Transmissive Mode	Normally Black	-
Surface Treatment	AG type, 3H hard coating	-
Power Consumption	Total cell	
TC	8100	k
NTSC	72 (Typ)	%



Interface Pin Definition

Pin	Name	Description
1	NC	Not connection, this pin should be open
2	NC	Not connection, this pin should be open
3	NC	Not connection, this pin should be open
4	NC	Not connection, this pin should be open
5	NC	Not connection, this pin should be open
6	NC	Not connection, this pin should be open
7	NC	Not connection, this pin should be open
8	NC	Not connection, this pin should be open
9	NC	Not connection, this pin should be open
10	NC	Not connection, this pin should be open

11	LCD_VCC	LCD logic and driver power 3.3V
12	LCD_VCC	LCD logic and driver power 3.3V
13	LCD_VCC	LCD logic and driver power 3.3V
14	NC	Not connection, this pin should be open
15	NC	Not connection, this pin should be open
16	NC	Not connection, this pin should be open
17	REV_SCAN	Low -> Normal Mode. High -> Horizontal & Vertical Reverse Scan
18	RXO0-	Negative LVDS differential data input. Channel O0 (odd)
19	RXO0+	Positive LVDS differential data input. Channel O0 (odd)
20	RXO1-	Negative LVDS differential data input. Channel O1 (odd)
21	RXO1+	Positive LVDS differential data input. Channel O1 (odd)
22	RXO2-	Negative LVDS differential data input. Channel O2 (odd)
23	RXO2+	Positive LVDS differential data input. Channel O2 (odd)
24	LCD GND	LCD logic and driver ground
25	RXOC-	Negative LVDS differential clock input. (odd)
26	RXOC+	Positive LVDS differential clock input. (odd)
27	LCD GND	LCD logic and driver ground
28	RXO3-	Negative LVDS differential data input. Channel O3(odd)
29	RXO3+	Positive LVDS differential data input. Channel O3 (odd)
30	RXE0-	Negative LVDS differential data input. Channel E0 (even)
31	RXE0+	Positive LVDS differential data input. Channel E0 (even)
32	RXE1-	Negative LVDS differential data input. Channel E1 (even)
33	RXE1+	Positive LVDS differential data input. Channel E1 (even)
34	LCD GND	LCD logic and driver ground
35	RXE2-	Negative LVDS differential data input. Channel E2 (even)
36	RXE2+	Positive LVDS differential data input. Channel E2 (even)
37	RXEC-	Negative LVDS differential clock input. (even)
38	RXEC+	Positive LVDS differential clock input. (even)
39	RXE3-	Negative LVDS differential data input. Channel E3 (even)
40	RXE3+	Positive LVDS differential data input. Channel E3 (even)

Product Overview

Core Features

Ultra-High Brightness: 1500 nits brightness with anti-glare 3H hard coating ensures perfect readability in direct sunlight

Wide Temperature Range: Operating temperature -30 to +85 , storage temperature -40 to +90

Industrial LVDS Interface: 40-pin dual-channel configuration with stable, interference-resistant signal transmission

IPS Technology: 178°/178° wide viewing angle with no color deviation or brightness attenuation

High Color Performance: 16.7M true colors with 72% NTSC color gamut and 800:1 contrast ratio

Robust Construction: Metal casing reinforcement for vibration and impact resistance

Long Lifespan: WLED backlight with over 50,000 hours operational life

Primary Applications

Industrial Automation: CNC machines, robot control cabinets, HMI interfaces, mining and construction machinery

Transportation: Vehicle central control consoles, bus/rail transit information displays, marine navigation

Outdoor Terminals: Digital signage, highway toll booths, security monitoring, smart grid interfaces

Medical Equipment: Ambulance monitors, field emergency stations, portable medical devices

Agriculture & Environmental: Agricultural machinery displays, weather station terminals, outdoor monitoring systems

Frequently Asked Questions

I want the LCD display 8 digits and the outline size is 65x30x2.8mm?

No problem. Please send us your specifications or drawing. If you don't have specifications, you can provide samples and we'll recommend suitable products or customize based on your requirements.

This LCD is just what we want, but it is big size, do you have any smaller size? And the display content need to be changed a little.

For segment type LCD modules, modifying outline size or display content requires a new LCD glass module. We can create new tooling for you.

This LCD display is HTN type, but I want STN type, can you make?

Yes, we can change the display type according to your request.

I want to customize a new LCD module. Can you do?

Yes, we can. Please send your drawing or provide outline size, display information (glass thickness, polarizer, display type, connector mode, temperature ranges, supply voltage, viewing direction, drive conditions).

What is the lead time for tooling?

Typically 15 to 25 days after drawing confirmation and tooling charge payment. We'll provide exact timing when you confirm the drawing.

Can you send us samples for checking?

Yes, sample orders are available.

What is the lead time?

For standard products in stock: 1 day after payment. For mass production of special orders: approximately 15-30 days. We'll inform you if we can complete earlier.



Dongguan Bibuke Electronic Technology Co., Ltd.



+8613711912723



Jack@smartwinlcd.cn



lcdtftscreen.com

Shangyu Commercial Centre Chang'an, Dongguan, Guangdong, China 523881