

## 2 Inch 480x360 Dots IPS TFT LCD Screen Module with MIPI/RGB Interface for Embedded Devices

Our Product Introduction

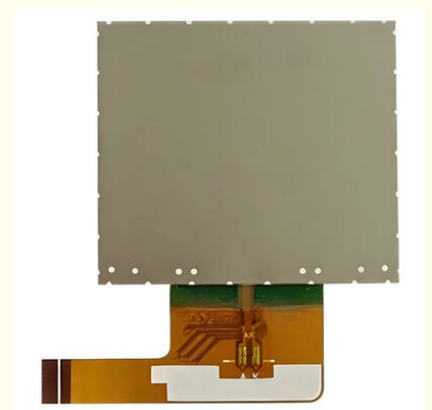
for more products please visit us on [lcdtftscreen.com](http://lcdtftscreen.com)

### Basic Information



### Product Specification

- Ctp Interface: I2C
- Resolution: 480\*360 Pixels
- Light Source: White LED\*6
- Pin Number: 25 PIN
- Driver Ic: ST7701S
- Connection: ZIF FPC
- Operating Temp: -20°C To +70°C
- Product Type: TFT LCD Screen
- Highlight: 2 inch IPS TFT LCD screen ,  
480x360 dots LCD module ,  
MIPI RGB interface TFT screen



## Product Description

# 2 Inch 480x360 Dots Horizontal MIPI/RGB Interface IPS TFT LCD Screen Module

2 Inch 480x360 Dots Horizontal MIPI/RGB Interface IPS TFT LCD Screen Module

## General Information

<b>Product:</b>	2 Inch TFT LCD Display
<b>Resolution:</b>	480x360 Dots
<b>Interface:</b>	MIPI (RGB Optional)
<b>Viewing Direction:</b>	IPS, All Viewing Angle (85/85/85/85)
<b>LCD Controller:</b>	ST7701S
<b>Surface Luminance:</b>	350 Cd/m <sup>2</sup> (nits)
<b>Touch Screen:</b>	Without
<b>Cover Glass Dimension:</b>	Customizable
<b>Operating Temp:</b>	-20°C To +70°C
<b>Connection:</b>	ZIF FPC
<b>LED Lifetime:</b>	40,000 Hours

## Product Introduction

This is a 2-inch IPS TFT LCD screen module with a resolution of 480×360. It is equipped with MIPI/RGB dual interfaces and features small size, high resolution, wide viewing angle and multi-interface compatibility. It is suitable for embedded and portable device applications.

## Display Core Specifications

**Size:** 2 inches (horizontal landscape)

**Resolution:** 480×360 pixels (RGB arrangement), high pixel density, clear text and images

**Panel type:** IPS, full viewing angle (approximately 85° up, down, left, and right), good color consistency, no color bias

**Brightness:** Typical 350-500 cd/m<sup>2</sup>, some high-brightness models can reach 850-1000 cd/m<sup>2</sup>

**Contrast ratio:** Approximately 800:1-1500:1, vivid colors

**Color:** 16.7M colors (24-bit), detailed display

**Driver IC:** Mainstream ST7701S, stable and reliable

**Backlight:** WLED, lifespan approximately 40,000 hours

## Interface Design

**MIPI (2 Lane):** High-speed serial interface, few pins, low power consumption, simple wiring, suitable for mobile phones / main control chips

**RGB:** Parallel interface, compatible, suitable for STM32, FPGA, etc. embedded main control

**Interface Form:** FPC flexible ribbon cable (24-30 pins), flexible soldering / plugging

## Physical and Environmental Specifications

**Module Size:** Approximately 46×40.9×2.5 mm, lightweight and compact

**Operating Temperature:** -20°C to +70°C, industrial-grade wide temperature range

**Power Supply:** 2.6-3.3V (typical 2.8V), low power consumption

**Touch:** Optional capacitive touch (such as GT911), supports multi-touch

## Main Applications

**Industrial Control:** Small PLC, industrial instruments, data collectors, automation control panels, suitable for harsh conditions

**Medical Portable Devices:** Oxygen sensors, blood glucose meters, electrocardiogram monitors, portable ultrasound terminals, low power consumption + high quality suitable for battery-powered scenarios

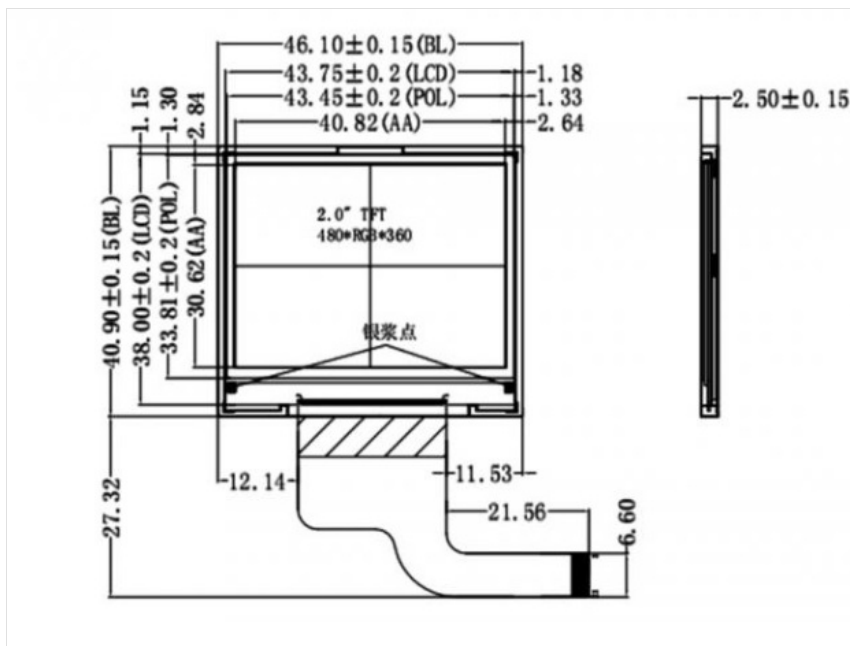
**Smart Wearables and Consumer Electronics:** Smart watches, fitness trackers, portable players, Bluetooth speakers, small size and high resolution enhance interaction experience

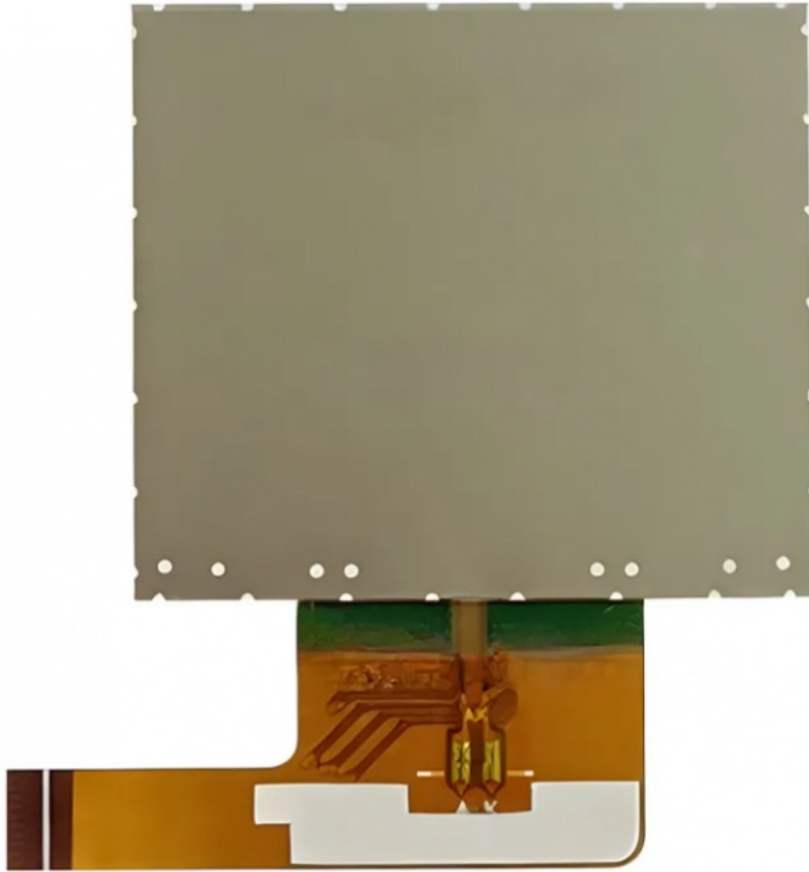
**Smart Home:** Smart locks, thermostats, smart switches, video doorbells, as a status display and interaction window

**Embedded Development:** STM32/FPGA prototype development, DIY projects, IoT terminals, MIPI/RGB dual interface compatible with various main controllers

**Imaging and Security:** Camera viewfinder, dash cams, access control terminals, wide viewing angle suitable for multi-angle viewing

## Product Drawing





## Frequently Asked Questions

1. I want the LCD display 8 digits and the outline size is 65x30x2.8mm?

No problem. Firstly, please kindly send us your specification/drawing paper. If you have not the specification, you can also provide your samples; we will recommend the suitable one if it is standard products. Or we can customize for you based on your own requirement.

**2. This LCD is just what we want, but it is big size, do you have any smaller size? And the display content need to be changed a little.**

For the segment type LCD module, if you need modify the outline size or display content, a new LCD glass module is need. We have to open new tooling for you.

**3. This LCD display is HTN type, but I want STN type, can you make?**

That's all right. We can change for you as per you request.

**4. I want customize a new LCD module. Can you do?**

Yes, we can. Please send your drawing paper. If you have not, please advise me the outline size of the LCD display, display information (Glass thickness, Polarizer, Display Type, Connector mode, Storage Temp. Operating Temp. Supply Voltage, Viewing direction, drive condition), we can customize for you.

**5. What is leading time for tooling?**

General speaking, it will cost 15 to 25 days after drawing paper confirmation and tooling charge payment, we can report you the exact time when you confirm the drawing paper.

**6. Can you send us samples for checking?**

Yes. Samples order is available.

**7. What is the Leading Time?**

If we have stock for the standard ones, the leading time is one day after payment. If it is the mass production for special ones, the leading time is about 15-30 days. Suppose we can finish earlier, we will report the information in advanced.

---

## Our Service

---

Free repair within one year after the shipment of products from us.

Replacement within 30 days after the shipment of products from us due to products' problems.

We can print your logo and stick your model No. on the cameras.

We have long cooperation with many shipping companies and our export volume is large. The shipping companies can offer us good discounts.

Professional technician supports. We have a good after-sales service team. They can solve your problems in time.

All goods will be inspected and tested by our engineers and QC/QA before packing and shipment.

Customers satisfactory is most important to us. If you have any problem or questions regarding our transaction. Please contact us by Email or online. It will be responded within 24 hours.

Products pictures only for your reference. Please kindly refer to the specification. We can provide the products basic on the specification. Or you can offer your own specification or drawing, we can customize all kinds of LCD displays for you. Thanks for your kind support always.



**Dongguan Bibuke Electronic Technology Co., Ltd.**



+8613711912723



Jack@smartwinlcd.cn



lcdtftscreen.com

Shangyu Commercial Centre Chang'an, Dongguan, Guangdong, China 523881