

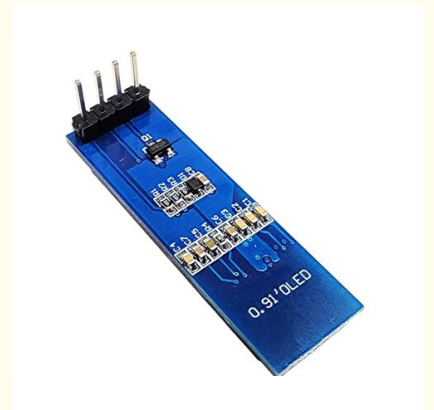
0.91 Inch 128x32 Resolution 4 Pins SSD1306 OLED Display Module with I2C Interface

Basic Information



Product Specification

- Operating Temp: -20°C To +70°C
- Contrast ratio: 2000:1
- Fpc Connect: 4 Pins
- Backlight Type: LED
- Surface Luminance: 420 Cd/m²(nits)
- Connectivity: COG + PCB
- Interface: LVDS / EDP
- Module Size: 38(W)×12(H)×2.6(T) Mm
- Highlight: **0.91 inch SSD1306 OLED display, 128x32 resolution OLED module, I2C interface OLED display module**



Product Description

0.91 Inch 4 Pins 128x32 SSD1306 Driver IC OLED Display Module

Product Overview

This SSD1306 driver IC OLED display module features a 0.91-inch diagonal size, 4-pin interface, and 128×32 resolution. It is a miniature monochrome self-luminous display with ultra-small size, simple wiring, and extremely low power consumption, making it ideal for embedded and Internet of Things projects.

Technical Specifications

Product	0.91" Inch OLED 4 Pins	Structure	COG + PCB
Resolution	128x32 Dots	Interfaces	SPI And I2C Optional
Viewing Angle	All Viewing Angle	Pin Number	4 Pins (7 Pins Optional)
Color	White Blue Optional	Module Size	38(W)×12(H)×2.6(T) mm
Glass	PMOLED	Controller	SSD1306 Or Equivalent
Power Supply	3V / 5V	Operating Temp.	-40 To +85

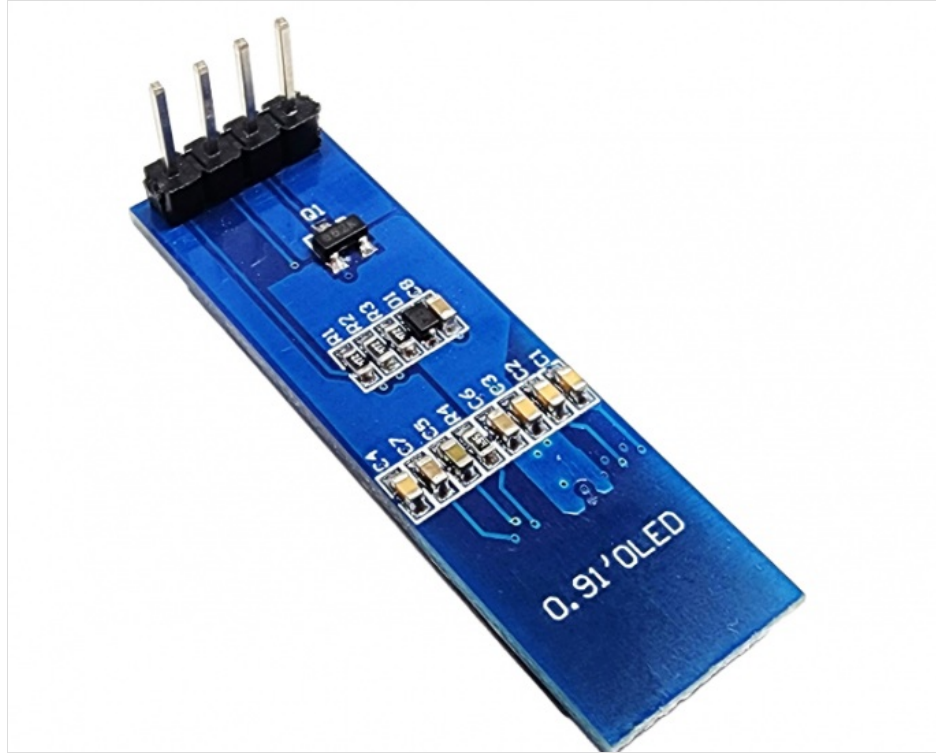
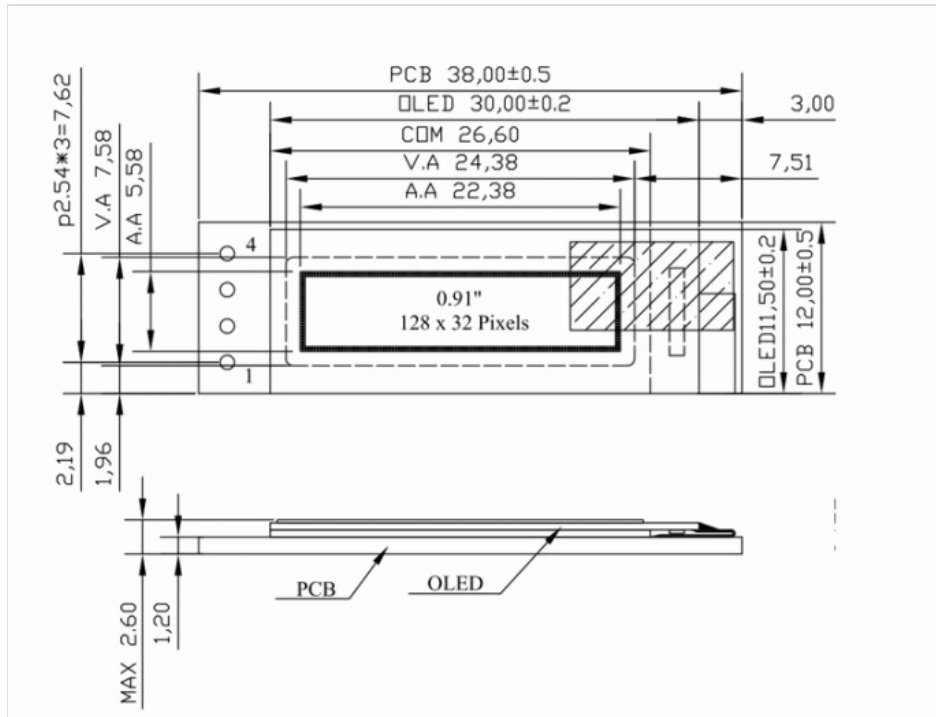
Core Features

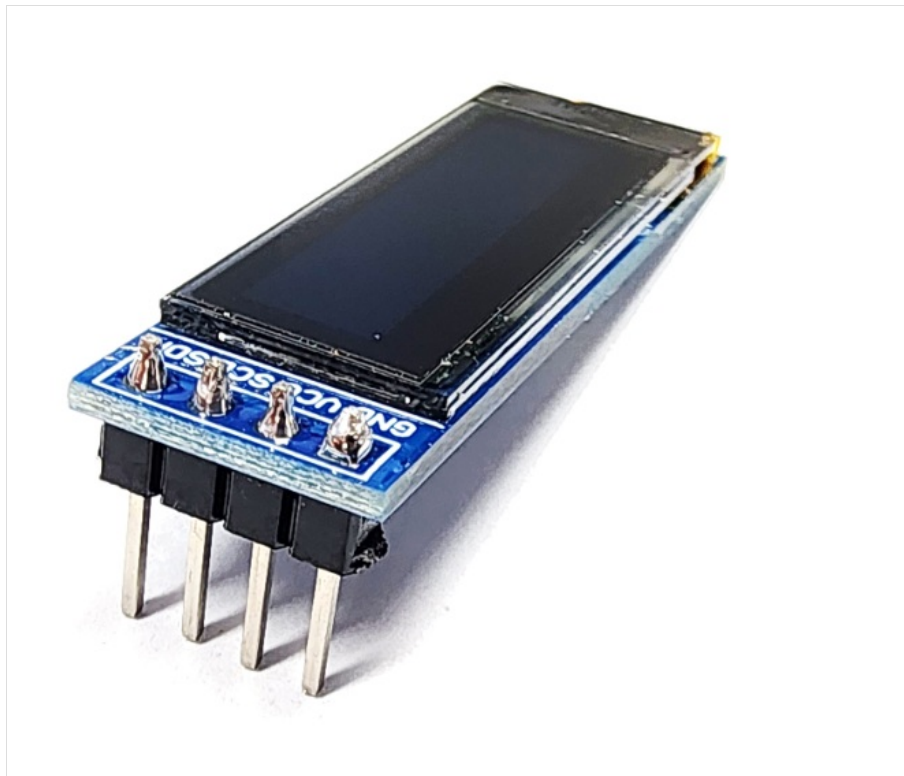
- Size: 0.91 inches diagonal, PCB size approximately 38mm × 12mm, thickness about 4mm
- Resolution: 128 columns × 32 rows, monochrome (white, yellow-green, or blue)
- Driver IC: SSD1306 with built-in display memory, supports I2C interface
- Interface: I2C (4-pin) - VCC (3.3V/5V), GND, SDA (data), SCL (clock)
- Power consumption: Full screen illumination ~25mA, standby <2mA
- Display characteristics: High contrast, viewing angle >160°, fast response
- Compatibility: Arduino, ESP32/ESP8266, STM32, Raspberry Pi, and other development boards

Applications

- Embedded development and debugging: Display sensor data, system status, debugging logs
- IoT devices: WiFi/Bluetooth terminals, smart home sensor nodes, wireless controllers
- Wearable devices: Smart wristbands, electronic badges, health monitors
- Industrial control: Small PLCs, relay modules, portable detectors, parameter displays
- Consumer electronics: Mini game consoles, desktop clocks, audio players, USB devices
- Low-power scenarios: Battery-powered devices, remote controls, sensor nodes

Product Drawings





Frequently Asked Questions

I want the LCD display 8 digits and the outline size is 65x30x2.8mm?

No problem. Please send us your specification/drawing paper. If you don't have specifications, you can provide samples; we will recommend suitable standard products or customize based on your requirements.

This LCD is just what we want, but it is big size, do you have any smaller size? And the display content need to be changed a little.

For segment type LCD modules, if you need to modify outline size or display content, a new LCD glass module is required. We will open new tooling for you.

This LCD display is HTN type, but I want STN type, can you make?

That's all right. We can change for you as per your request.

I want to customize a new LCD module. Can you do?

Yes, we can. Please send your drawing paper. If you don't have one, please advise the outline size, display information (glass thickness, polarizer, display type, connector mode, storage temp, operating temp, supply voltage, viewing direction, drive condition).

What is the lead time for tooling?

Generally, it takes 15 to 25 days after drawing paper confirmation and tooling charge payment. We will report the exact time when you confirm the drawing paper.

Can you send us samples for checking?

Yes, sample orders are available.

What is the lead time?

For standard products in stock, lead time is one day after payment. For mass production of special products, lead time is about 15-30 days. If we can finish earlier, we will report the information in advance.

Our Services

Free repair within one year after product shipment

Replacement within 30 days after product shipment due to product problems

Custom printing of your logo and model number on products

Competitive shipping rates through long-term partnerships with shipping companies

Professional technical support and responsive after-sales service team

All goods inspected and tested by engineers and QC/QA before shipment

24-hour response time for any questions or problems

Customization of all kinds of LCD displays based on your specifications or drawings



Dongguan Bibuke Electronic Technology Co., Ltd.



+8613711912723



Jack@smartwinlcd.cn



lcdftscreen.com

Shangyu Commercial Centre Chang'an, Dongguan, Guangdong, China 523881