

2 Inch IPS TFT LCD Screen Module with 480x360 Dots Resolution and MIPI/RGB Interface

Our Product Introduction

Basic Information



Product Specification

- Connection: FPC ZIP
- Viewing Direction: IPS, All Viewing Angle (85/85/85/85)
- LCD Controller: ST7701S
- Lcd Type: TFT
- Storage temperature: -30°C To 80°C
- Interface: MIPI (RGB Optional)
- Backlight Technology: LED
- Cover Glass Dimension: Customizable
- Highlight: **2 inch IPS TFT LCD screen ,
480x360 resolution LCD module,
MIPI RGB interface LCD**



for more products please visit us on lcdftfscreen.com

2 Inch IPS TFT LCD Screen Module 480x360 Dots Horizontal MIPI/RGB Interface

Product Overview

Product:	2 Inch TFT LCD Display
Resolution:	480x360 Dots
Interface:	MIPI (RGB Optional)
Viewing Direction:	IPS, All Viewing Angle (85/85/85/85)
LCD Controller:	ST7701S
Surface Luminance:	350 Cd/m ² (nits)
Touch Screen:	Without
Cover Glass Dimension:	Customizable
Operating Temp:	-20°C To +70°C
Connection:	ZIF FPC
LED Lifetime:	40,000 Hours

This is a 2-inch horizontal-outline full-view IPS high-definition TFT display module with a pixel specification of 480×360 dots. It is arranged in a native horizontal screen layout and is compatible with both MIPI and RGB drive interfaces. The mainstream uses the ST7701S driver IC. It is a small-sized embedded general-purpose high-definition display.

The panel is made with IPS liquid crystal technology, with a full-view angle of 80° up, down, left and right. When viewed from the side, there are no issues of whiteing, color deviation or inversion. The color is 1670 million true colors, with precise color reproduction. The regular brightness is 350~500cd/ , and the outdoor customized model can achieve 800~900cd/ for strong light visibility. The overall thickness of the module is approximately 2.0~2.6mm. The FPC soft ribbon line is led out, facilitating the embedded assembly within the equipment. The working temperature range is -20 to +70 . The wide-temperature version can reach -30 to +85 , suitable for use in harsh industrial environments.

The dual interface is the core advantage of this screen: The RGB interface is compatible with traditional MCU controllers such as STM32 and 8-bit single-chip microcomputers, providing parallel high-speed transmission with stable refresh rate; The MIPI interface is compatible with high-performance controllers such as Android, ESP32-S3, and Rockchip, with fewer pins and lower power consumption. Customers can freely choose one of the interfaces for driving without modifying the screen's hardware structure. The screen can be optionally equipped with a capacitive touch panel to become a touch integrated screen, or it can be shipped as a bare screen.

Main Applications

Portable medical equipment: Oxygen sensors, handheld temperature detection devices, portable electrocardiogram collectors, with the small-sized body and high-definition screen, used to display detection data and waveform curves.

Industrial handheld instruments: Temperature and humidity inspection instruments, power detection clamp meters, gas detectors, with the narrow panel used in the equipment, the full-view IPS is convenient for multi-angle reading.

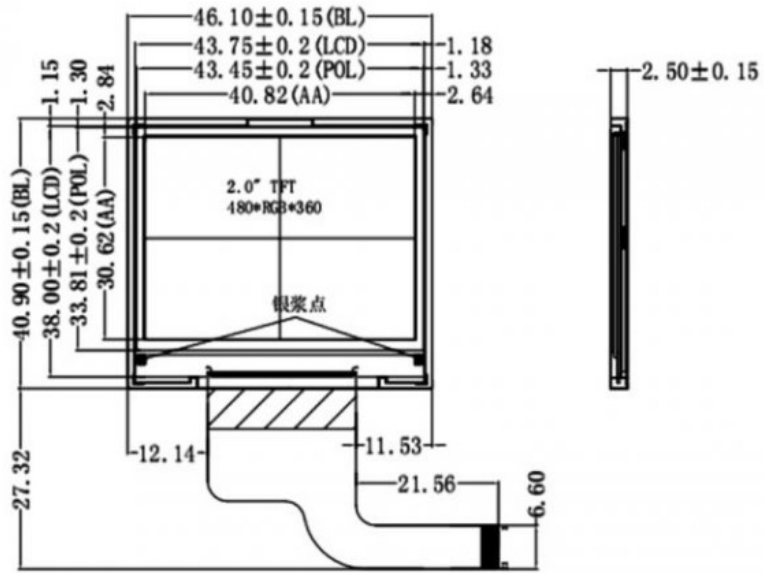
Smart home and security accessories: Indoor secondary screens for smart locks, small visual intercom secondary screens, infrared detector status display screens, simplifying the interaction interface of the small-sized body.

Consumer digital and wearable devices: Portable mini players, sports health bracelet secondary screens, digital telescopic view screens, compact body suitable for small-sized installation space.

Embedded development and DIY projects: Single-chip microcontroller development boards, open-source hardware experimental screens, 3D printer parameter displays, compatible with most development controllers, flexible selection.

Vehicle-mounted small accessories: Motorcycle instruments, vehicle tire pressure monitoring displays, vehicle radar small displays, with high-temperature tolerance suitable for vehicle environments.

Product Drawing





Frequently Asked Questions

I want the LCD display 8 digits and the outline size is 65x30x2.8mm?

No problem. Firstly, please kindly send us your specification/drawing paper. If you have not the specification, you can also provide your samples; we will recommend the suitable one if it is standard products. Or we can customize for you based on your own requirement.

This LCD is just what we want, but it is big size, do you have any smaller size? And the display content need to be changed a little.

For the segment type LCD module, if you need modify the outline size or display content, a new LCD glass module is need. We have to open new tooling for you.

This LCD display is HTN type, but I want STN type, can you make?

That's all right. We can change for you as per you request.

I want customize a new LCD module. Can you do?

Yes, we can. Please send your drawing paper. If you have not, please advise me the outline size of the LCD display, display information (Glass thickness, Polarizer, Display Type, Connector mode, Storage Temp. Operating Temp. Supply Voltage, Viewing direction, drive condition), we can customize for you.

What is leading time for tooling?

General speaking, it will cost 15 to 25 days after drawing paper confirmation and tooling charge payment, we can report you the exact time when you confirm the drawing paper.

Can you send us samples for checking?

Yes. Samples order is available.

What is the Leading Time?

If we have stock for the standard ones, the leading time is one day after payment. If it is the mass production for special ones, the leading time is about 15-30 days. Suppose we can finish earlier, we will report the information in advanced.

Our Service

Free repair within one year after the shipment of products from us.

Replacement within 30 days after the shipment of products from us due to products' problems.

We can print your logo and stick your model No. on the cameras.

We have long cooperation with many shipping companies and our export volume is large. The shipping companies can offer us good discounts.

Professional technician supports. We have a good after-sales service team. They can solve your problems in time.

All goods will be inspected and tested by our engineers and QC/QA before packing and shipment.

Customers satisfactory is most important to us. If you have any problem or questions regarding our transaction. Please contact us by Email or online. It will be responded within 24 hours.

Products pictures only for your reference. Please kindly refer to the specification. We can provide the products basic on the specification. Or you can offer your own specification or drawing, we can customize all kinds of LCD displays for you. Thanks for your kind support always.



Dongguan Bibuke Electronic Technology Co., Ltd.



+8613711912723



Jack@smartwinlcd.cn



lcdftscreen.com

Shangyu Commercial Centre Chang'an, Dongguan, Guangdong, China 523881